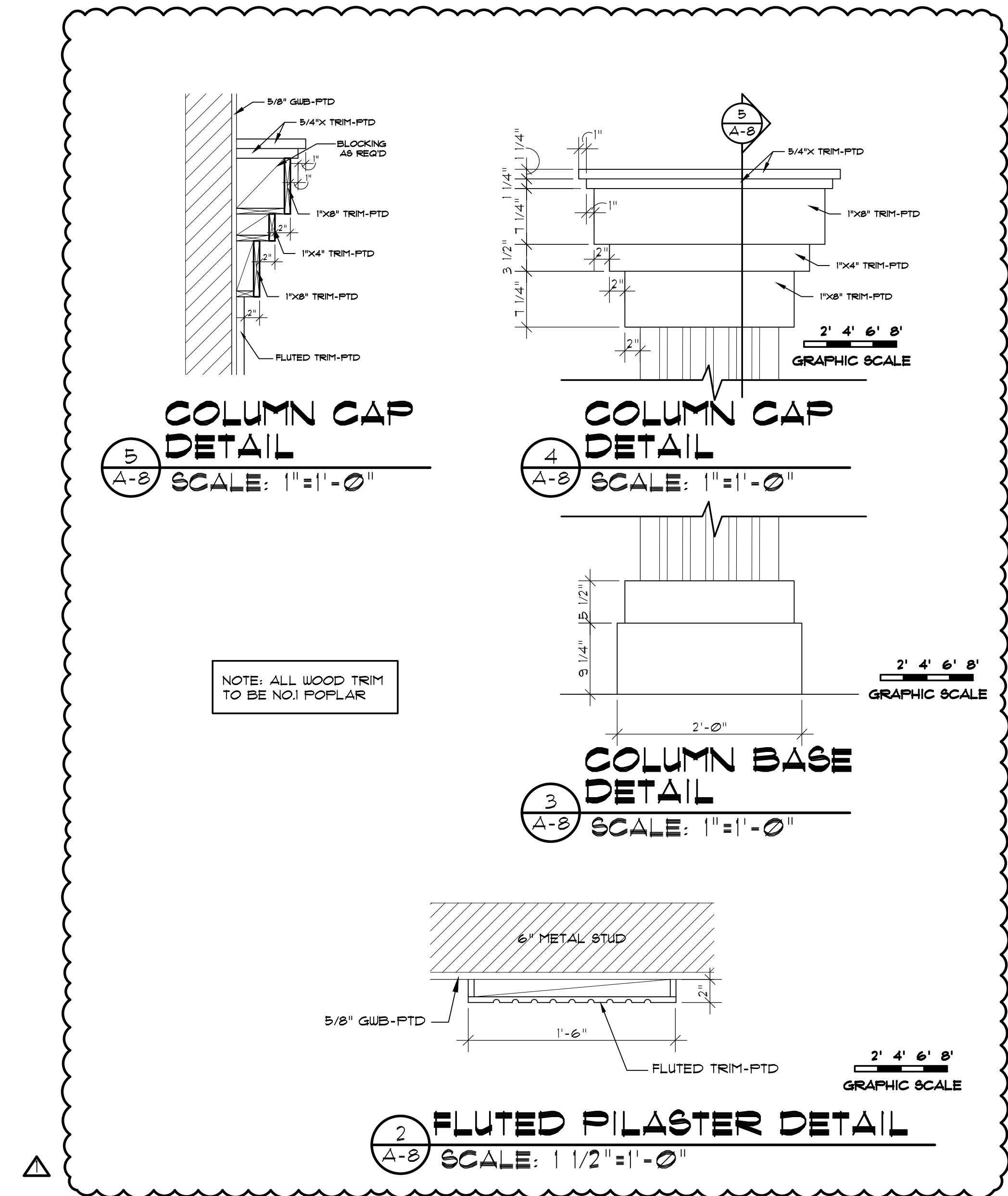
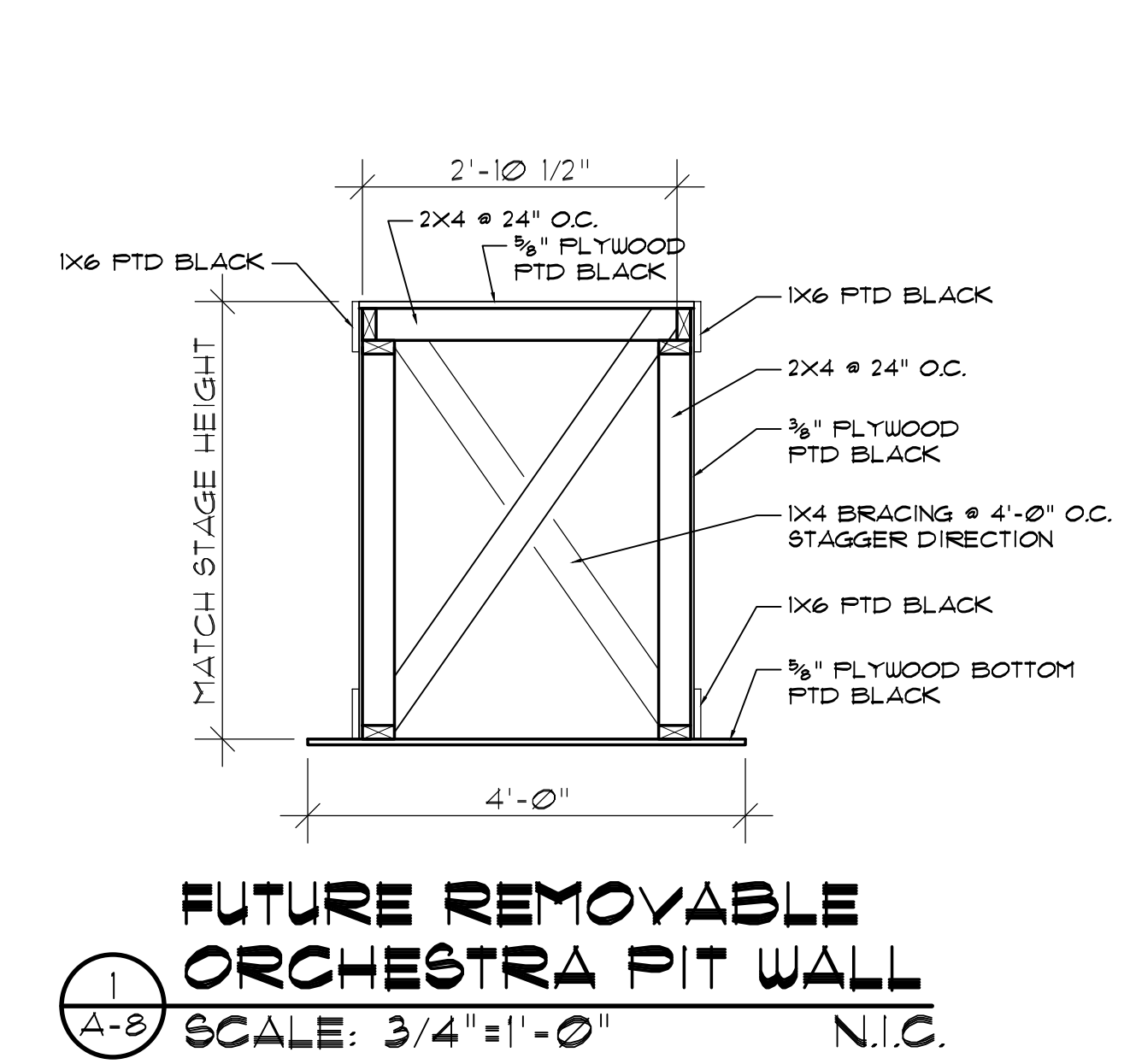


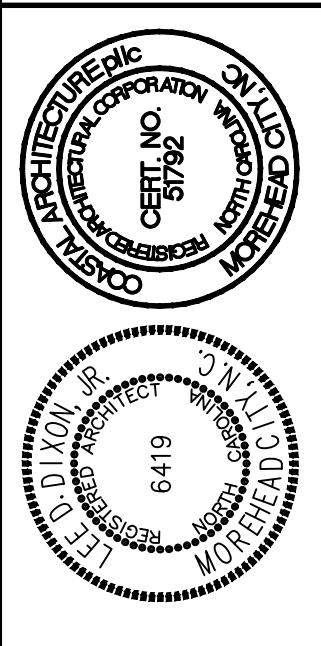
**REPAIRS TO  
CARTERET COMMUNITY THEATRE  
MOREHEAD CITY, NORTH CAROLINA**



NOTE: ALL WOOD TRIM TO BE NO.1 POPLAR



NOTE: WALL TO BE CONSTRUCTED IN 4'-0\"/>



DETAILS

**24034**

ISSUED: 24 JULY 24  
DWG BY: MES  
CKD BY: LDD

REVISIONS
Δ 07/30/24

SHEET NO.  
**A-8**  
OF